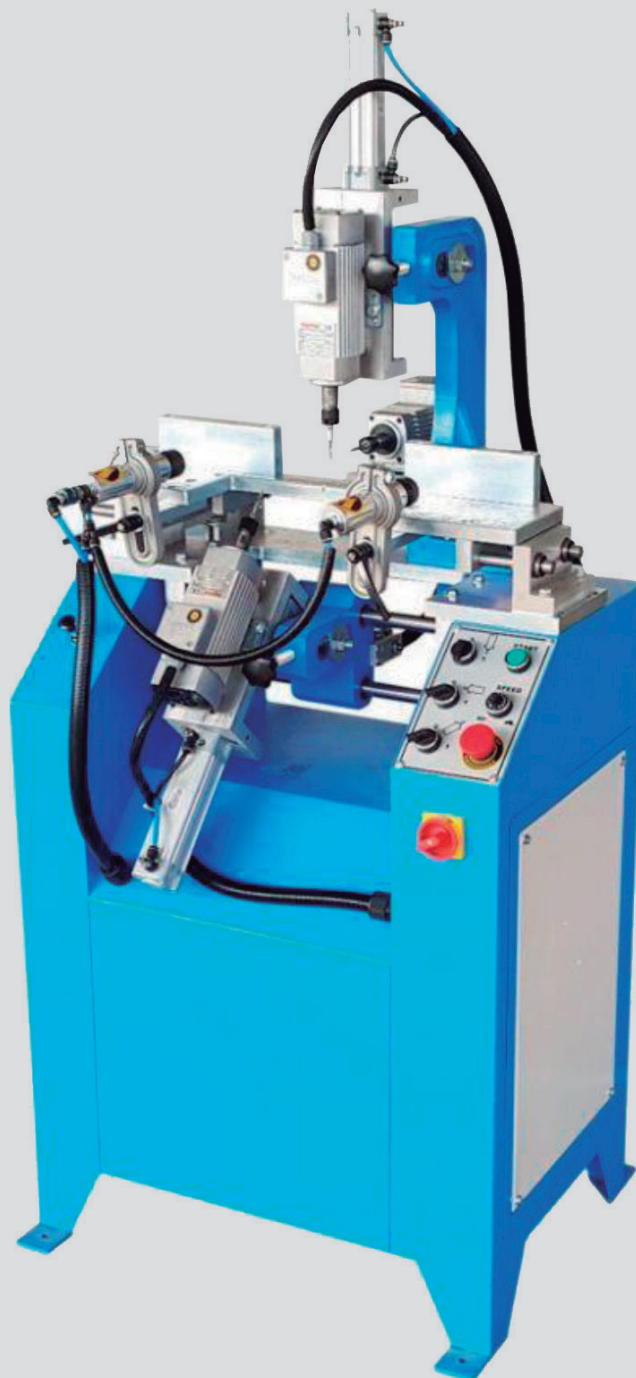




## DTM 510 FRESADORA PARA DESAGÜES EN PVC

# PVC

- Trabajo con 3 motores regulables independientemente con variador de velocidad.
- Posibilidad de trabajar con 1, 2 o 3 motores simultáneamente permitiendo agilizar en gran medida la producción.
- Movimientos de motores y de mesa de trabajo mediante pistones hidro neumáticos cuya velocidad de avance es fácilmente ajustable desde perilla de regulación.
- Sujeción de perfiles neumática.
- Fresas y componentes estándar para facilitar su mantenimiento.
- 3 motores monofásicos (220) carcasa de aluminio de uso industrial.



SO - 510 RV 210222



### CERTIFICADO DE GARANTIA

Los productos OK INDUSTRIAL tienen garantía total contra eventuales defectos de fabricación, evidenciados en condiciones de uso y manejos normales, por el término de 12 meses contados a partir de su entrega. Si OK INDUSTRIAL recibiera aviso de algún defecto bajo las circunstancias anteriormente detalladas podrá, discrecionalmente, reparar o sustituir el producto defectuoso sin costo para el cliente.

En caso de reclamo justificado, la responsabilidad máxima de la empresa para con el cliente quedará limitada al precio de compra pagado a OK INDUSTRIAL o al canal de venta autorizado y no incluye compensación o indemnización alguna por otros conceptos.

#### Limitaciones y Exclusiones

La garantía no será aplicable en los siguientes casos:

- 1) Cuando el producto haya sufrido mal uso; modificaciones no autorizadas, funcionamiento o almacenamiento, desplazamientos, instalación, mantenimiento y transporte en condiciones inadecuadas.
- 2) Daños causados por desastres naturales o provocados (inundaciones, rayos, terremotos, etc), fluctuaciones de la corriente eléctrica, interacción con otros productos de otras marcas.
- 3) Derrame de sustancias corrosivas o deteriorantes sobre el producto.
- 4) Cuando se detecte que el producto fue desarmado total o parcialmente, o sufrió algún intento de reparación por personal no autorizado por el fabricante.
- 5) Daños ocasionados por pruebas, instalación, mantenimiento o ajustes inapropiados.
- 6) Desgaste generado por el uso inherente a la propia naturaleza del material.
- 7) La garantía se rige por la ley del lugar de fabricación del producto.

Las garantías de componentes y/o accesorios de otras marcas que formen parte de nuestros equipos tales como motores, mandos neumáticos, hidráulicos y/o eléctricos, fresas, freselines, hojas de corte, etc, corren por cuenta de su respectivo fabricante.

OK INDUSTRIAL garantiza el aprovisionamiento de todos los componentes que puedan haber sufrido accidentes y/o desgaste natural cobrando su costo de lista y los gastos de envío.

Para obtener el servicio de garantía, el cliente debe acudir al establecimiento de OK INDUSTRIAL con una copia de su factura de compra ó a su distribuidor autorizado que le proveyó del equipo.

Si el cliente prefiere usar servicios de transporte para enviar su equipo a reparación, deberá llamar con anterioridad a los teléfonos de OK INDUSTRIAL donde se le darán instrucciones de seguridad y embalaje para su equipo. Los gastos de envío, transporte y embalaje, estarán a cargo del cliente.

OK INDUSTRIAL SRL no se responsabiliza de los accidentes que se puedan ocasionar por el uso de sus productos o de modificaciones ajenas al fabricante.

OK INDUSTRIAL SRL



# PVC

## DTM 510

### **CONTENTS**

#### **1. General Information**

1.1. Introduction

1.2. Information About the Manufacturer

#### **2. Machine's Description and Purpose of Use**

2.1. Machine's Description

2.2. Technical Features

2.3. Overall Dimensions

#### **3. Safety**

3.1. Safety Information

3.2. Accident Prevention

3.3. General Safety Information

#### **4. Transport of the Machine**

#### **5. Installation of the Machine**

#### **6. Machine's Safety Information**

#### **7. Operation**

7.1. Changing the Cutter Group

7.2. Adjusting the Machine's Air Pressure

#### **8. Maintenance, Service and Repair**

8.1. Periodic Checks, Maintenance and Starting to Work

8.2. Maintenance at the End of Working Day

#### **9. Information About Faulty Use**

#### **10. Troubleshooting Guide**

#### **11. Warranty**

### 1. GENERAL INFORMATION

#### 1.1. INTRODUCTION

*The user's manual given by the manufacturer contains necessary information about the machine parts. Each machine operator should read these instructions carefully, and the machine should be operated after fully understanding them.*

*Safe and efficient use of the machine for long term depends on understanding and following the instructions contained in this manual. The technical drawing and details contained in this manual constitute a guide for the operator.*

#### 1.2. MANUFACTURER



*\* In case of any technical problem please contact your nearest OK INDUSTRIAL dealer, or OK INDUSTRIAL head of office through the above mentioned phone fax or e-mail address*

*\* Technical labels with the model description of the machine are fixed onto the front side of each machine.*

*\* The machine's serial number and manufacturing year are stipulated on the technical label.*

***Average life usage of production is 10 years. If you have any further failure and complaint, please inform to our below mentioned technical service by verbal or written.***

# PVC

## DTM 510



*\* In case of any technical problem please contact your nearest OK INDUSTRIAL dealer, or OK INDUSTRIAL head ofise through the above mentioned phone fax or e-mail adress*

*\* Technical labels with the model description of the machine are fixed onto the front side of cach machine.*

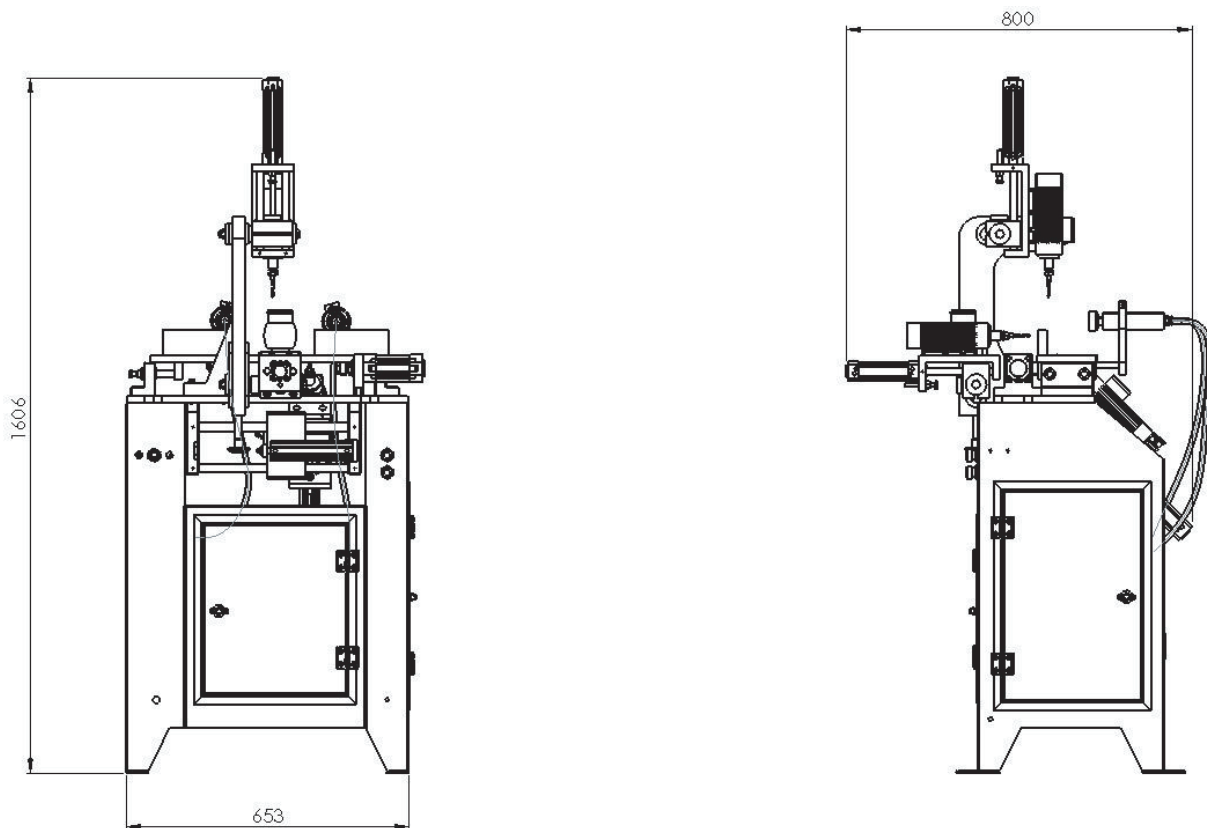
*\* The machine's serial number and manufacturing year are stipulated on the technical label.*

***Average life usade of production is 10 years.If you have any furher failire and complaint,please inform to our below mentioned technical service by verbal or written.***

## 2.2 TECHNICAL FEATURES

METRIC	FEATURES			⚡		⌚		kg	FRONT			Ø1			Ø2			h		a	
	Hz	RPM	Kw	V	Kw	Bar	Air consumption (l/min)	Kg	H (mm)	W (mm)	D (mm)	L (mm)	ØD1 (mm)	ØD2 (mm)	n (1/min)	h min (mm)	h max (mm)	a min (mm)	a max (mm)		
50	18000	2x0,8 (3x0,8)	230	1,8 (2,6)	6-8	22	115	790 (1530)	1070 (790)	760 (760)	80	5	8	30000	40	120	-	100			

## 2.3 DIMENSIONS



### **3. SAFETY**

#### **3.1. SAFETY INFORMATION**

*The symbols shown hereunder are necessary to be read with special attention. Not reading or observing of them may cause damage to the equipment or personal injury.*

**IMPORTANT**

*The IMPORTANT symbol above is one telling to apply special care and to be careful at carrying out the specified operation.*

**CAUTION**

*The CAUTION! Symbol above warns you against specific dangers, and requires to read the text. Not observing may cause damage to the equipment.*



**DANGER WARNING**

*The DANGER WARNING above warns you against specific dangers, and definitely requires the text to read. Not observing may result in serious bodily injury.*

*Please read the user's manual carefully before using the machine or carrying out maintenance.*

### **3.2. PREVENTION OF ACCIDENTS**

*3.2.1 Our machines are manufactured in accordance with EN 60204-1 and EN 292-2 CE safety directives, which cover national and international safety directives.*

*3.2.2 It is the task of the employer to warn his staff against accident risks, to train them on prevention of accidents, to provide for necessary safety equipment and devices for the operator's safety.*

*3.2.3 Before starting to work with the machine, the operator should check the features of the machine, learn all details of the machine's operation.*

*3.2.4 The machine should be operated only by staff members, who have read and understood the contents of this manual.*

*3.2.5 All directives, recommendations and general safety rules contained in this manual have to be observed fully. The machine cannot be operated in any way for purposes other than those described herein. Otherwise, the manufacturer shall not be deemed responsible for any damages or injuries. And such circumstances would lead to the termination of the warranty.*

### **3.3. GENERAL SAFETY INFORMATION**

*3.3.1. The power cable should be led in such a way that nobody can step on it or nothing can be placed on it. Special care has to be taken regarding the inlet and outlet sockets.*



*3.3.2. If the power cable should be damaged during operation, don't touch and unplug it. Never use damaged power cables.*

*3.3.3. Don't overload machines for drilling and cutting. Your machine will operate more safely with power supply in accordance with the stipulated values.*



3.3.4. *Don't place your hands between parts in motion.*



3.3.5. *Use protective eye glasses and ear plugs. Don't wear oversize clothes and jewels. These can be caught by moving parts.*



3.3.6. *Keep your working place always clean, dry and tidy for accident prevention and safe operation*

3.3.7. *Use correct illumination for the safety of the operator.( ISO 8995-89 Standard The lighting of indoor work system)*

3.3.8. *Don't leave anything on the machine..*

3.3.9. *Don't use any materials other than those recommended by the manufacturer for cutting operations on the machine.*

3.3.10. *Ensure that the work piece is clamped appropriately by the machine's clamp or vice.*

3.3.11. *Ensure safe working position, always keep your balance.*



3.3.12. *Keep your machine always clean for safe operation. Follow the instructions at maintenance and replacement of accessories. Check the plug and cable regularly. If damaged, let it replace by a qualified electrician. Keep handles and grips free of any oil and grease.*

3.3.13. *Unplug first, before conducting and maintenance works.*

3.3.14. *Ensure that any keys or adjustment tools have been removed before operating the machine.*



*3.3.15.If you are required to operate the machine outside, use only appropriate extension cables.*

*3.3.16.Repairs should be carried out by qualified technicians only. Otherwise, accidents may occur.*

*3.3.17.Before starting a new operation, check the appropriate function of protective devices and tools, ensure that they work properly. All conditions have to be fulfilled in order to ensure proper operation of your machine. Damaged protective parts and equipment have to be replaced or repaired properly (by the manufacturer or dealer).*

*3.3.18.Don't use machines with improper functioning buttons and switches.*

*3.3.19.Don't keep flammable, combusive liquids and materials next to the machine and electric connections.*

#### **4. SAFE TRANSPORT OF THE MACHINE**

##### **IMPORTANT**

*\* The transport should be done by qualified personnel only.*

*The machine should be transported by lifting with proper equipment or transpolet (not touching the ground during the transport).*

*Do not lift the machine tool at transportation if transpallet hands have not up to the end come into the pallet.*

#### **5. INSTALLATION OF THE MACHINE**

*For carrying out of cleaning and other works, расстояние between the machine tool and a back wall should be 100 Rastojanija between lateral walls and the machine tool see depends on the sizes of the machine tool. The sizes of the machine tool are resulted in drawing the SIZES.*



### **5.1. PREPARATION**

*5.1.1. The outer dimensions of the machine are mentioned under DIMENSIONS. The ground, where the machine will be placed, should be even, solid enough to bear the weight of the machine.*

*5.1.2. All parts of machine SO-510 tools it is presented for use from outside the manufacturer*

*5.1.3. In the form of an accessory with the machine tool the measuring emphasis is given out. Connect this emphasis on right or on the left lateral part of the machine tool.*

### **5.2. MACHINE TOOL CONNECTION TO THE POWER UNIT**

*For machine tool connection to a power unit, in the beginning see specifications and then connection charge to the licensed electrician.*

### **5.3. ELECTRIC CONNECTION**

*5.3.1. The three-phase socket should correspond to the machine tool socket.*

*5.3.2. The socket of a connecting wire should correspond to norms CE.*

*5.3.3. Before energy giving in the machine tool, check up energy of an input.*

## **6. MACHINE SAFETY DATA**

*1- It is forbidden to work at removed covers of safety and similar accident protection devices*

*2- Keep foreign materials away from the working area of the machine, keep away from the machine's moving parts.*

*3- SO-510 Routine circumspect work of the machine tool with survey of programs should will be executed after electricity and pneumatic switching-off from outside responsables.*

*4- Replacement of drills is forbidden without having disconnected a supply of electricity and is in any intervention*

## 7. OPERATION

### **7.1. BEGINNING OF THE WORK**

7.1.1. Ensure that the machine table and all kind of parts are clean and dry. Degrease and dry the machine table. Especially ensure that the holding grips and handles are clean and dry.

7.1.2. Clean all surfaces of the machine from chip and foreign particles. Use eye glasses for protection.

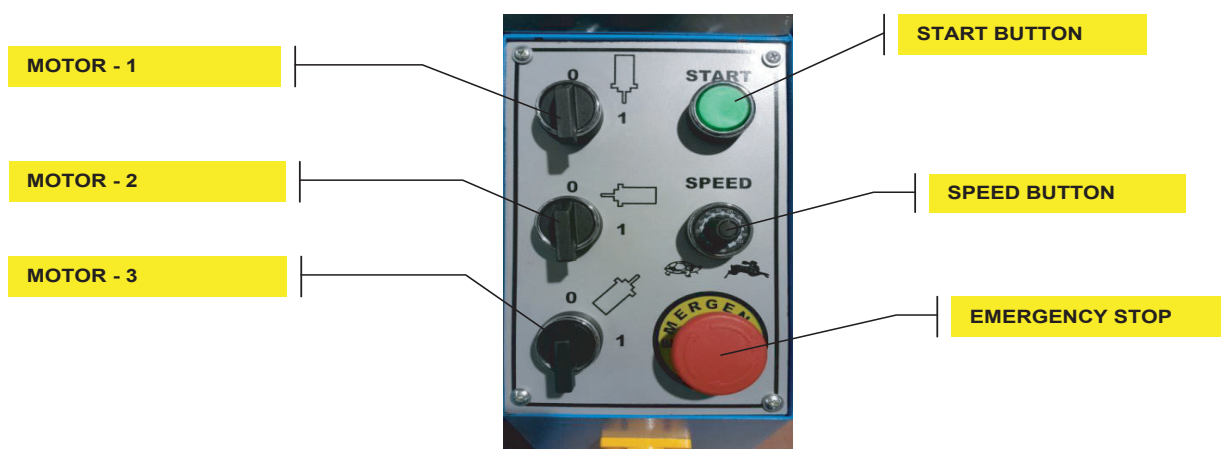
7.1.3. Check with the appropriate keys that the router bit and drill bits are tightened well.

7.1.4. Check the router bit and drill bits for wear, bending and breaking. Replace them if damaged.

7.1.5. The water discharge machines SO-510 are used for opening of key lock shapes, hinge slots, window fastening slots and holes, slot channels in different dimensions independently from the copying onto non-ferrous aluminum materials and hard plastic materials or wood.

7.1.6. Fix the aluminum, PVC or wood profile, onto which you want to copy holes or slots, with the clamps located on the machine table. For the clamp fixing and opening button at our models.

7.1.7. Chose the appropriate shape on the copy template to open lock, hinge slots etc.



## 7.2. ADJUSTMENT OF PRESSURE OF AIR

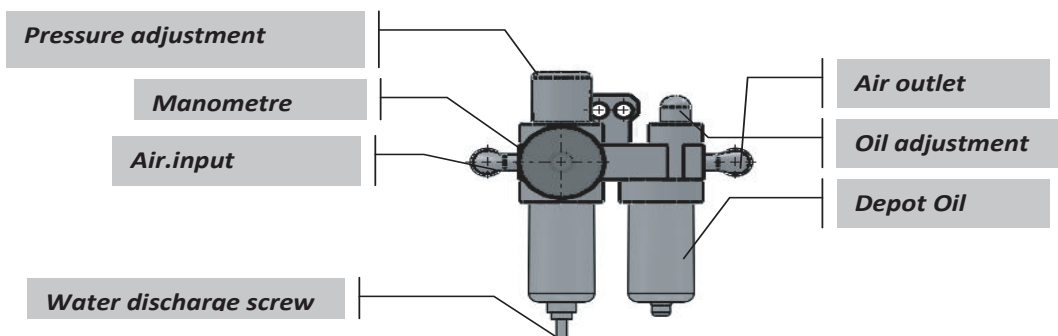
7.2.1. Pull the adjustment button of the conditioner upwards

a- Turning the adjustment button in clockwise direction increases the pressure

b- Turning the adjustment button in counter clockwise direction decreases the pressure

7.2.2 Once you read 6-8 Bar on the manometre, push the adjustment button of the conditioner down and lock it in that position.

7.2.3. The manufacturer recommends to use the following oils with the conditioner: TELLUS C 10 / BP ENERGOL HLP 10/ MOBIL DTE LIGHT / PETROL OFISI SPINDURA 10



## 8. MAINTENANCE

### 8.1 THE ROUTINE CONTROL AND THE WORK BEGINNING

8.1.1. Be assured of cleanliness of a table and other parts. Clear a table of oils and wipe.

8.1.2. Remove all burr, foreign materials from the machine's surface.

8.1.3. Check pressure in system of pressure of air..

8.1.4. Supervise filters of pressure of air and conditioner. If level of oil more low in the conditioner fill..



**IMPORTADOR - EXPORTADOR**

# **OK INDUSTRIAL**

**EQUIPAMIENTO INTEGRAL PARA CARPINTERIAS DE ALUMINIO, DVH Y PVC**

## **Casa Central**

### **Atención Personalizada y Show Room**

Calle 148 (ex. Moreno) N° 1900 esquina Italia  
CP: 1653 Villa Ballester  
Buenos Aires, Argentina

Tel: 0054 9 11 4738-2500

info@okindustrial.com.ar  
www.okindustrial.com.ar

**FABRICACIÓN ARGENTINA**



Management  
System  
ISO 9001:2015

www.tuv.com  
ID 9108624322