



DSW - 200

**DOUBLE HEAD WELDING MACHINE ZERO
WELDING FOR 200MM**



USER MANUAL



THE GUARANTEE CERTIFICATE

The NAME of FIRM of the MANUFACTURER : SÖNMEZ PVC ve ALÜMİNYUM İŞLEME MAKİNELERİ SAN.TİC.LTD. ŞTİ
THE ADDRESS : KAYAPA ORG.SAN.BÖL.LALE SOK NO:14
BURSA/TURKEY

TELEFON : +90 224 367 33 04 PBX

TELEFAX : +90 224 367 00 49

THE SIGNATURE AND THE PRESS OF THE :

REPRESENTATIVE OF FIRM

PRODUCTION KIND : DOUBLE HEAD WELDING MACHINE ZERO
WELDING FOR 200MM
MARK : SÖNMEZ ,INTELLI-MACH

MODEL : DSW-200

BANDIT ROLE and SERIES No :

DATE and DELIVERY PLACE :
GUARANTEE PERIOD : 2 YEARS

THE MAXIMUM TERM OF REPAIR : 30 WORKING DAYS

THE NAME OF THE AUTHORIZED

TRADING FIRM :

THE ADDRESS :

TELEFON :

TELEFAX :

DATE-SIGNATURE-STAMP

CONTENTS

1. General Information

- 1.1. Introduction
- 1.2. Information About The Manufacturer

2. Machine's Description And Purpose Of Use

- 2.1. Machine's Definition
- 2.2. Technical Specifications
- 2.3. Dimensions
- 2.4. Part List And Technical Drawings

3. Security

- 3.1. Safety Data
- 3.2. Accident Prevention
- 3.3. General Safety Information

4. Transport Of Your Machine

5. Installation Of The Machine

6. Precession Welding Set

7. Parameters Input

8. Air Pressure Adjustment

9. Machine Safety Information

10. Operation

11. Cutting Of Profiles And Angle Adjustment

12. Changing The Blade

13. Maintenance

14. Possible Faults And Troubleshooting

15. Warranty Terms

1. GENERAL INFORMATION

1.1.INTRODUCTION

The user's manual given by the manufacturer contains necessary information about the machine parts. Each machine operator should read these instructions carefully, and the machine should be operated after fully understanding them.

Safe and efficient use of the machine for long term depends on understanding and following the instructions contained in this manual. The technical drawing and details contained in this manual constitute a guide for the operator.

1.2 MANUFACTURER



Kayapa Org.San. Bölgesi Lale Cad.No.14
Nilüfer / BURSA – TÜRKİYE
Tel : 0090 224 367 33 04
Fax : 0090 224 367 00 99



In case of any technical problem please contact your nearest SONMEZ dealer, or SONMEZ head office through the above mentioned phone fax or e-mail address

* Technical labels with the model description of the machine are fixed onto the front side of each machine.

*The machine's serial number and manufacturing year are stipulated on the technical label.

Average life usage of production is 10 years. If you have any further failure and complaint, please inform to our below mentioned technical service by verbal or written

AUTHORIZED TECHNICAL SERVICE CENTER ADDRESS;

For minimize the documentation, It is very necessary to mention below details at the agreements signed with suppliers and dealers of the purchased machines.

Kayapa org.san.böl.Lale sok. No:14 NİLÜFER – BURSA-TÜRKİYE

Tel : 0224 367 33 04 Pbx.

Fax : 0224 367 00 49

e-mail : export@sonmakpvc.com

iletisim@sonmakpvc.com

web : http://www.sonmakpvc.com

*Machine's serial number

*Date of purchase

*Machine model

*Average daily operation period

*Voltage and frequency

*Description of the machine fault

*Name of dealer where machine was purchased

2. MACHINE DESCRIPTION AND TECHNICAL INFORMATION

2.1 DESCRIPTION OF THE MACHINE


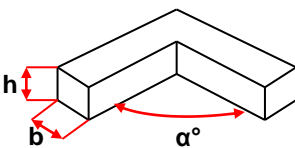

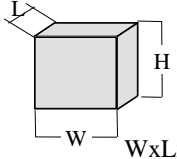

Welding machine for PVC profiles are designed for corner joints.

2.2 TECHNICAL SPECIFICATIONS

2.1. MACHINE'S DESCRIPTION

Machine is designed for the joining of PVC profiles through corner welding.

- * Capable of adjusting the clamp and welding pressure according to the profile type.
- * Equipped with a timer for melting and welding time. Capable of welding at angles between 30° – 180°
- * Profiles are clamped one by one via foot pedal
- * After clamping the profiles, the welding is carried out automatically.
- * The thermostat is electronic and can be adjusted in a temperature range between 0°-260°
- * Profiles compacted after the welding process is completed automatically.
- * The machine is designed in accordance with CE standards.
- * Profile support bracket is available.

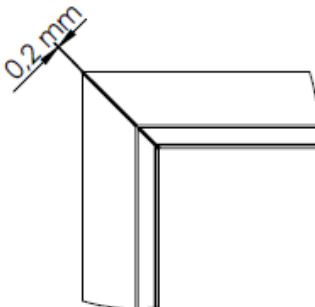
TECHNICAL FEATURES						
			BAR	Hav tük . Air		
DWS 200	220V 50Hz	max.h = 200 mm max.b = 160 mm (45°) $\alpha = 15^\circ - 180^\circ$	6-8 Bar	70 Lt./dak. Lt./min.	4220x770 mm	550 kg.

2.1.3 DIFFERENCES BETWEEN WELDING MACHINES

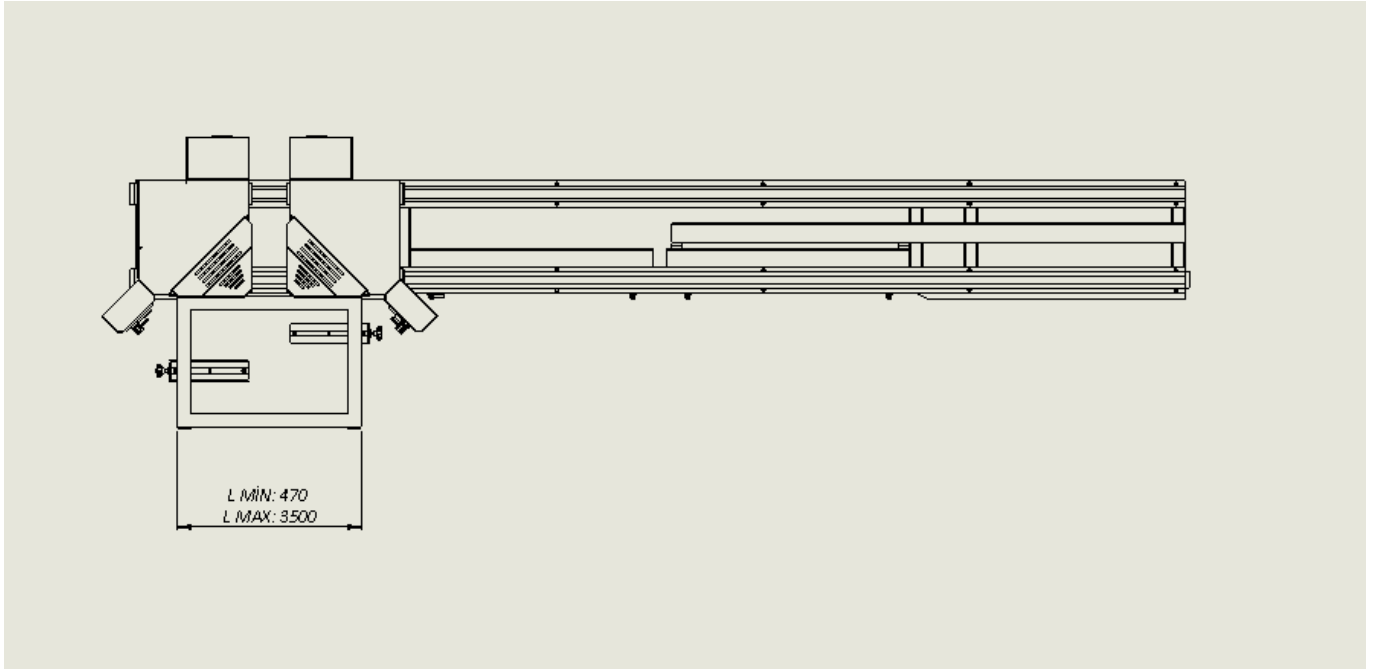
DWS-200

1- Distance from weld

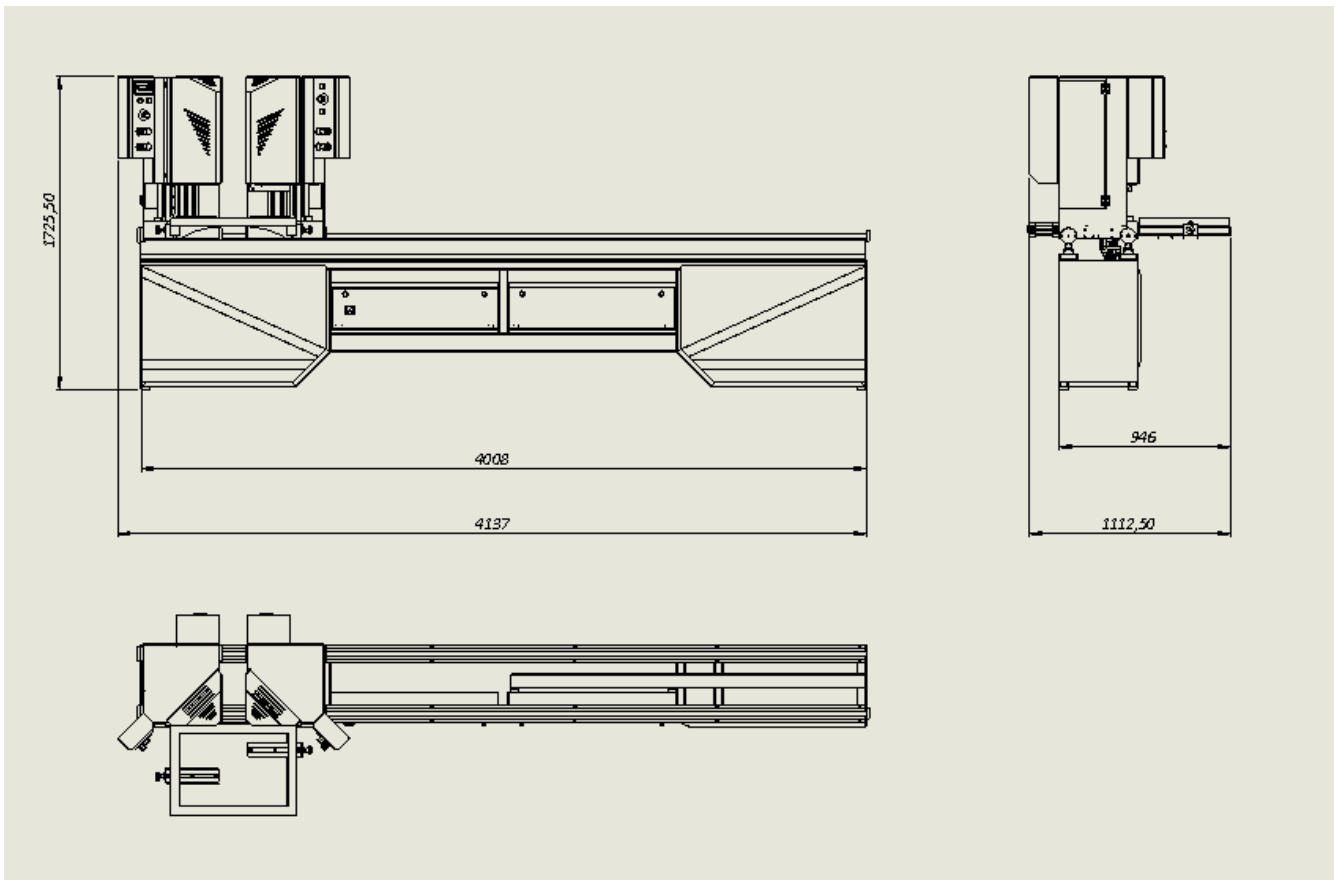
0,2mm



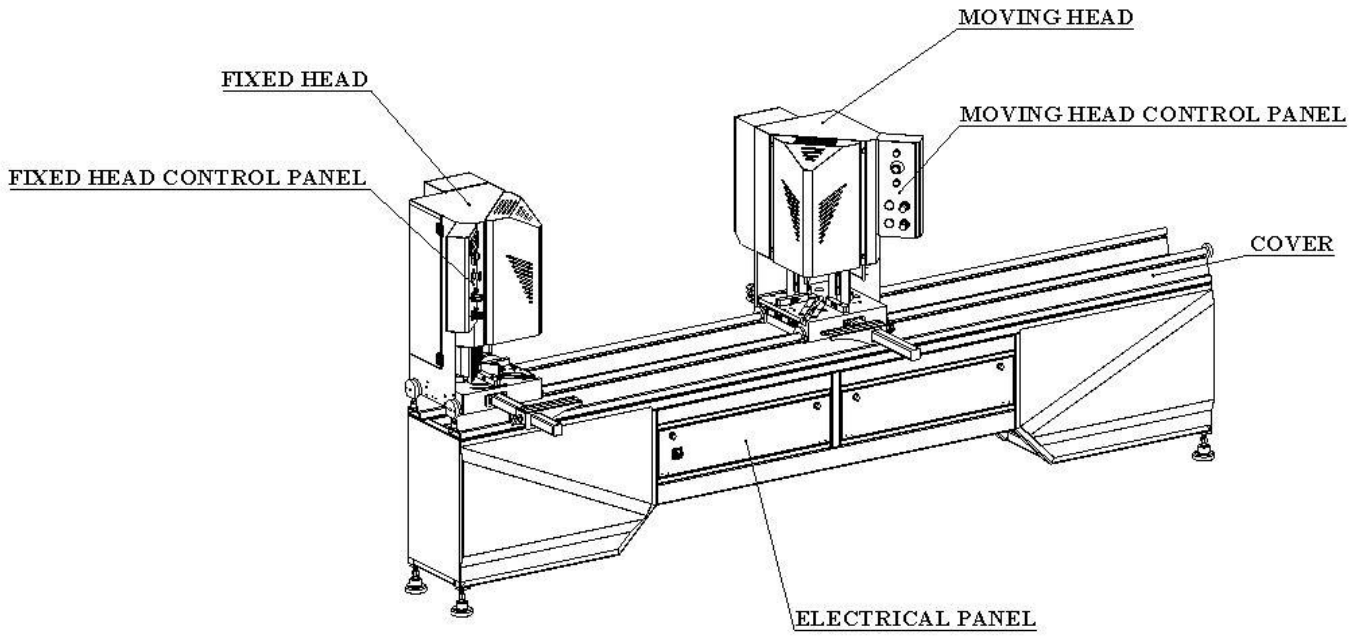
2.4. RESOURCE CAPACITY LENGTH



2.5. DIMMENSIONS

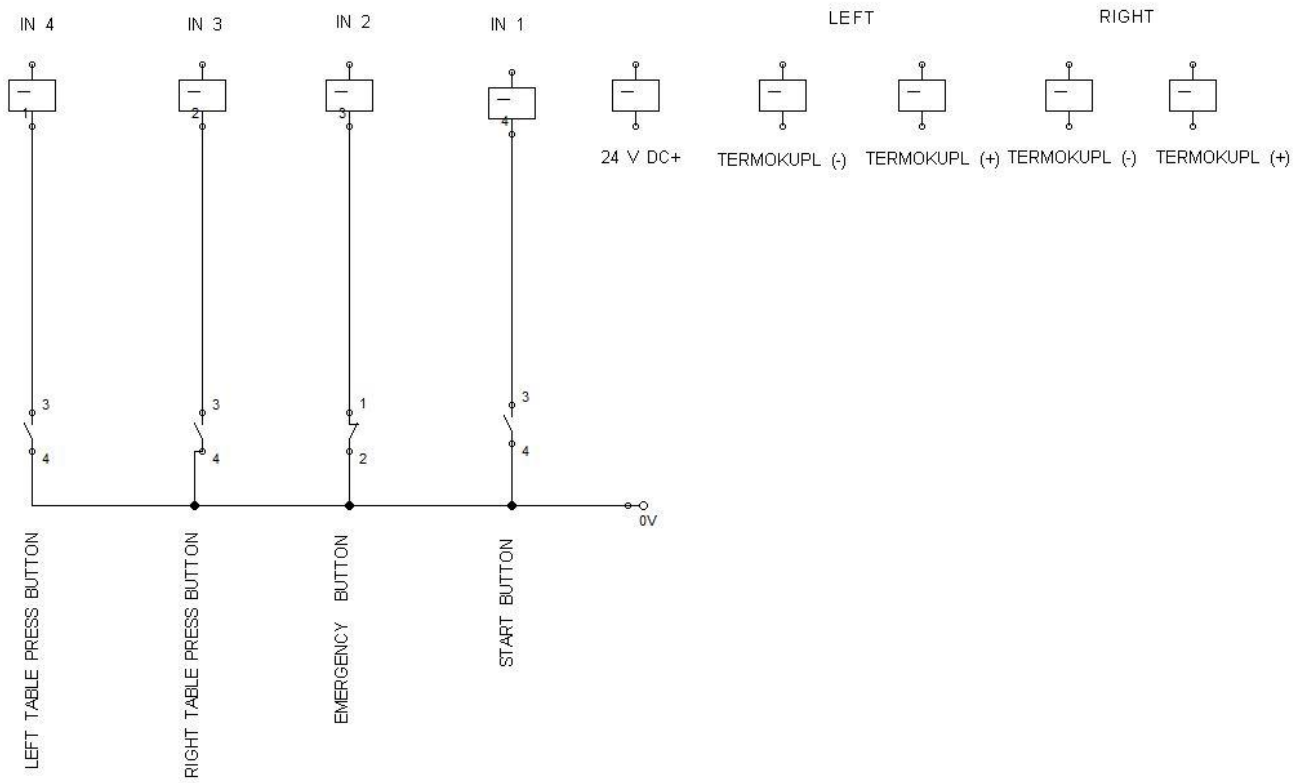


2.6. PART LIST AND TECHNICAL DRAWINGS



DWS-200 -- ELECTRICAL SHEME

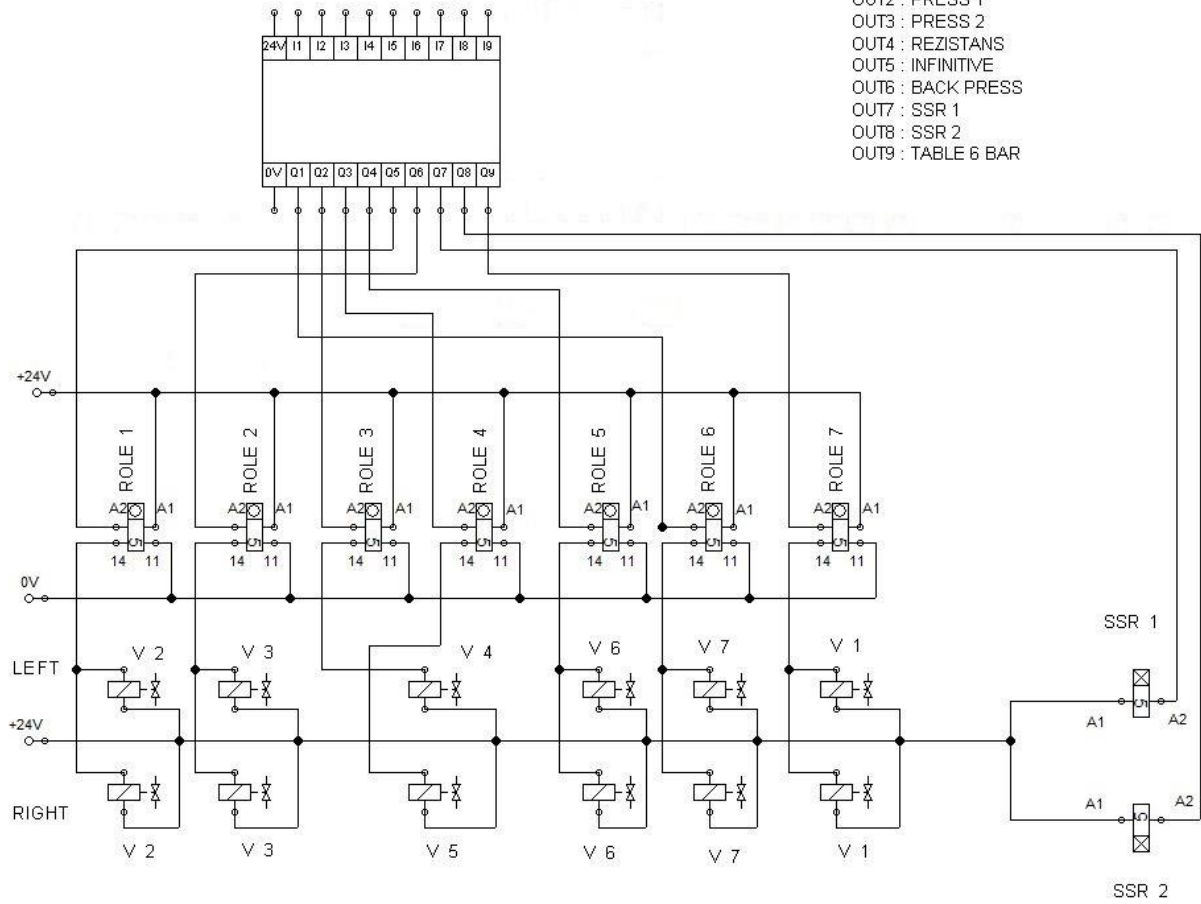
DWS 200 CARD INPUT LOGIC



DWS-200 -- ELECTRICAL SHEME

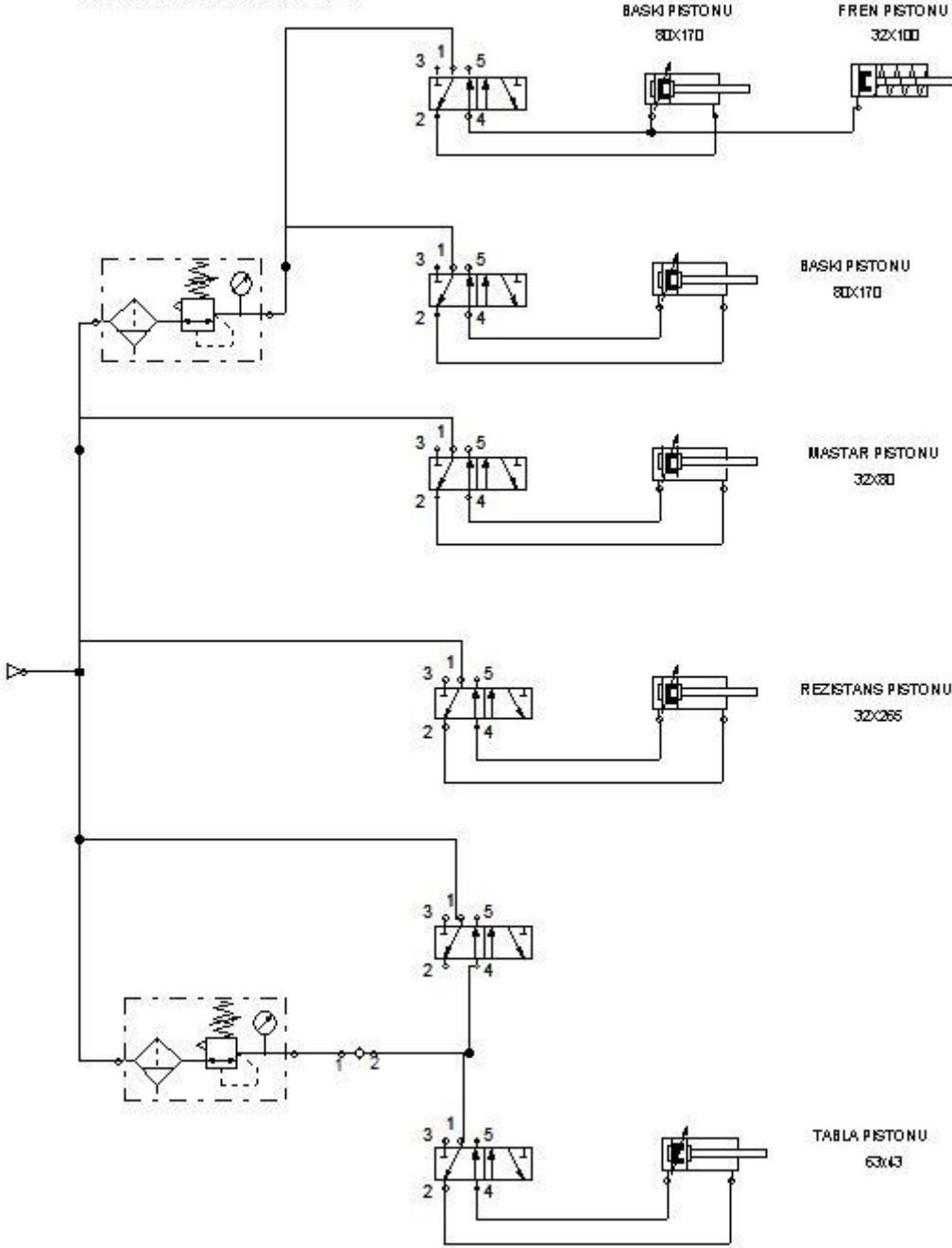
DWS 200 CARD OUTPUT LOGIC

- OUT1 : TABLE
- OUT2 : PRESS 1
- OUT3 : PRESS 2
- OUT4 : REZISTANS
- OUT5 : INFINITIVE
- OUT6 : BACK PRESS
- OUT7 : SSR 1
- OUT8 : SSR 2
- OUT9 : TABLE 6 BAR



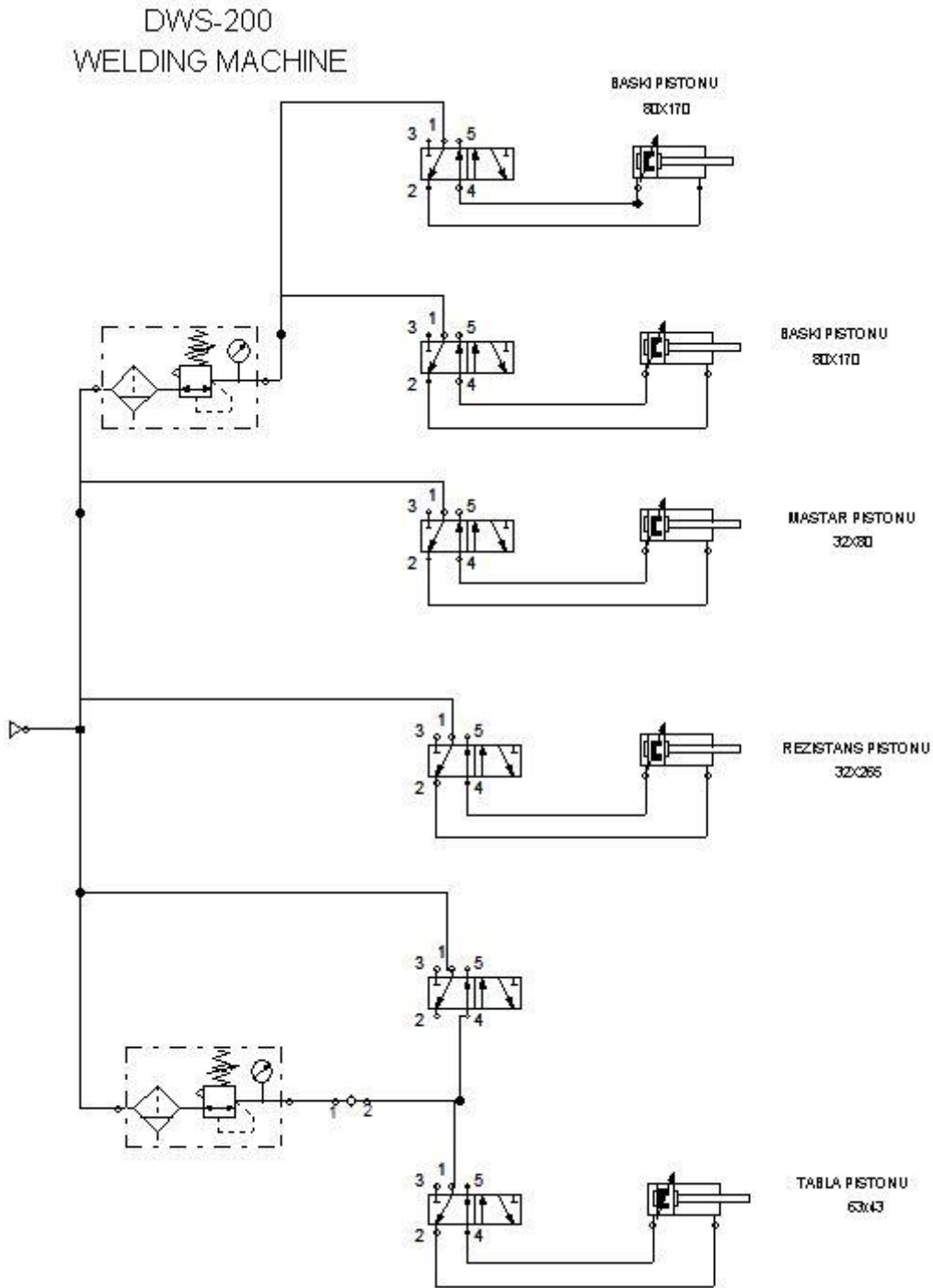
DWS-200 -- PNEUMATIC SCHEME

DWS-200 WELDING MACHINE



DWS-200 PNEUMATIC SCHEME

FIXED TABLE





3. SAFETY

3.1 SAFETY INFORMATION

The symbols shown hereunder are necessary to be read with special attention. Not reading or observing of them may cause damage to the equipment or personal injury.

IMPORTANT

The IMPORTANT symbol above is one telling to apply special care and to be careful at carrying out the specific operation.

CAUTION !

The CAUTION! Symbol above warns you against specific dangers, and requires to read the text. Not observing may cause damage to the equipment.

DANGER WARNING



The above symbol DANGER WARNING, warns you against specific dangers, and you have definitely to read them. Negligance may cause damage to the equipment and bodily injury.

Read the user's manual carefully before using the machine or carrying out maintenance works.



3.2. ACCIDENT PREVENTION

3.2.1. Our machines are manufactured in accordance with EN 60204-1 and EN 292-2 CE safety directives, which cover national and international safety directives.

3.2.2. It is the task of the employer to warn his staff against accident risks, to train them on prevention of accidents, to provide for necessary safety equipment and devices for the operator's safety.

3.2.3. Before starting to work with the machine, the operator should check the features of the machine, learn all details of the machine's operation.

3.2.4. Machine should be operated only by staff members, who have read and understood the contents of this manual.

3.2.5. All directives, recommendations and general safety rules contained in this manual have to be observed fully. The machine cannot be operated in any way for purposes other than those described herein. Otherwise, the manufacturer shall not be deemed responsible for any damages or injuries. And such circumstances would lead to the termination of the warranty.

3.3. GENERAL SAFETY INFORMATION

3.3.1. The power cable should be led in such a way that nobody can step on it or nothing can be placed on it. Special care has to be taken regarding the and outlet sockets.



3.3.2. If the power cable should be damaged operation, don't touch and unplug it. Never use damaged power cables

3.3.3. Don't overload machines for drilling and cutting. Your machine will operate more safely with power supply in accordance with the stipulated valued..

3.3.4. Don't place your hands between parts in motion



3.3.5. Use correct illumination for the safety of the operator. (ISO 8995-89 Standard The lighting of indoor work system)

3.3.6. Use protective eye glasses and ear plugs. Don't wear oversized clothes and jewelry. These can be caught by moving parts



3.3.7. Don't use any materials other than those recommended by the manufacturer for welding operations on the machine

3.3.8. Ensure that the work piece is clamped appropriately by the machine's clamp or vice.

3.3.9. Ensure safe working position, always keep your balance

3.3.10. Don't leave anything on the machine



3.3.11. Keep your working place always clean, dry and tidy for accident prevention and operation

3.3.12. Keep your machine always clean for safe operation. Follow the instructions at maintenance and replacement of accessories. Check the plug and cable regularly. If damaged, let replace by a qualified electrician. Keep handles and grips free of any oil and grease.

3.3.13. Unplug first, before conducting and maintenance Works

3.3.14. Ensure that any keys or adjument tools have been removed before operating the machine.

3.3.15. If you are required to operate the machine outside,use only appropriate extension cables.

3.3.16. Repairs should be carried out by qualified technicians only.Otherwise,accidients may occur

3.3.17. Before starting a new operation, check the appropriate function of protective devices and tools, ensure that they work properly. All conditions have to be fulfilled in order to ensure proper operation of your machine. Damaged protective parts and equipment have to be replaced or repaired properly (by the manufacturer or dealer)..

3.3.18. Don't use machines with improper functioning buttons and switches.

3.3.19. Don't keep flammable, combustive liquids and materials next to the machine and electric connections

IMPORTANT

4. SAFE TRANSPORT OF THE MACHINE

* The transport should be done by qualified personnel only.

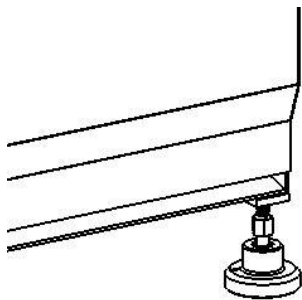
4.1. The machine should be transported by lifting with proper equipment (not touching the ground during the transport).

4.2. The Machine is delivered wrapped in nylon as packaging, unless other form of packing is agreed upon with the customer.

4.3. For the weight and overall dimensions of the machine see Technical Features.

5. INSTALLATION OF THE MACHINE

5.1. INSTALLATION OF THE MACHINE



Before starting up the machine handling, loading, etc. to make sure you will not lose any part stages is recommended for general control.

Be put into the machine surface hard, flat ground and the machine must be qualified to carry the weight. Position of the machine should be at least 50 cm distance from the rear Wall

Make sure the feet to protect the stability of the machine weighs. If necessary, make adjustments in the feet with adjustment screws.

5.2. PREPARATION

Before starting the machine is used for the detection of moving the systems running and stopping disconnecting the electrical and pneumatic connections Do not bolt.

5.3. SECURE THE MACHINE CONNECTING THE POWER SOURCE

5.3.1. ELECTRICAL CONNECTION

5.3.2. Electrical connections must be performed by a licensed electrician. Apply the power cord from the machine using a cable with CE standards H07RNF.

5.3.3 Please check the machine before connecting power input energy.

6. PRECISION WELDING SET

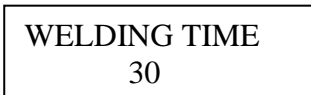
Welding machines can be operated in two different ways.

6.1. Welding Time Settings

- Click the menu button until the welding time.



- Set the welding time with up and down button



- Confirm the time with the ok key.

6.2. Melting Time Settings

- Click the menu button until the melting time.



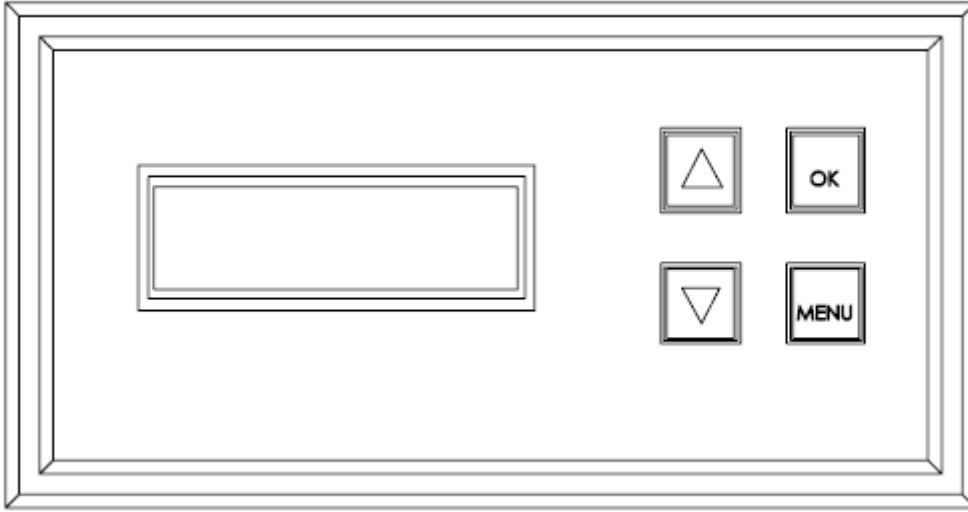
- Set the welding time with up and down button



- Confirm the time with the ok key.

7. PARAMETERS INPUT

USE OF ELECTRONIC CARD



UP arrow key to change the parameter values in the display 2 row value changes.

Down arrow key to change the parameter values in the display 2 row value changes.



OK key is used to enter the menus.

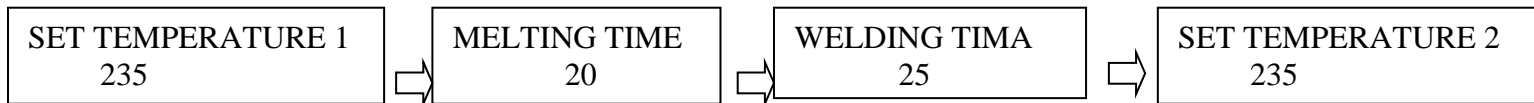


The menu button is used to change the parameters. 1 is pressed the display The value changes in the row.

USER MENU

1. SET TEMP line is typed values, thawing times, TIME SOURCE user replaceable parameters.
- 2.

TC1(FIXING HEAD)	K:25s
TC2 (MOVING HEAD)	E:20s



2. Value, the values of these parameters can be changed in a row post USE:

Press the button to enter the user when you press this key.



menu. One of the following screens will appear

Push Button and choose parametes as needed. Teser parameter values SET TEMPERATURE centigrad celcius and can be changet 1 centigrad celcius interval. MELTING TIME is second and can be chagent 1 second interval WELDING TIME is second and be changed 1 secund interval. Using



Or

7.1. INPUT PARAMETRES



Press and hold the OK

ŞİFRE 0
0

When it is re-



Press button

CODE 1
0

when



Press the button 1 time

CODE 1
1

when



press button

CODE 2
0

when



press the button 2 time

CODE 2
2

when



press buton

CODE 3
0

when



pressthe buton 3 time

CODE 3
3

when



Press to scroll to the.

PID PROP
30

Pid propondional value.

PID INT
1

Pid integral value.

PID DER
192

Pid Differential value.

GUIDE IN
1

After step on the freadle first time.Unit is 1/10 sec.For example to enter 1 enter 1 sec put 10 Value.

TABLE IN
1

After the guide enter,the table 1 st in time the machine's 3rd time.Unit 1/10 cek.For example to enter 1 cek put 10 valude.

1.CLAMP IN
1

After stepping the treadle 2 rd time the machine's 3rd time Unit 1/10 cek.For example to enter 1 cek put 10 valude.

2. CLAMP IN
0

After stepping the treadle 3 rd time the machine's 4rd time Unit 1/10 cekFor example to enter 1 cek put 10 valude..

TABLE OUT
5

Table's 1.out time.the machine's 5 th time unit is 1/10 sec.Unit 1/10 For example to enter 1 cek put 10 valude.

GUIDE OUT
5

The guide out time the machine's 6 th time.Unit is 1/10 sec For example to enter 1 cek put 10 valude.

HEATER IN
5

Heater in time machine's 7th time.Unit is 1/10 sec For example to enter 1 cek put 10 valude.

TABLE IN 11	Table's 2.time in time machine's 8th time. Unit is 1/10 sec For example to enter 1 cek put 10 valude
TABLE OUT 2 5	Table's 2.time in time machine's 10 th time. Unit is 1/10 sec For example to enter 1 cek put 10 valude.
HEATER OUT 5	The heater out time machine's 11th time. The unit is 1/10 sec. For example to enter 1 cek put 10 valude.
TABLE IN 3 10	The table's 3rd in time the machines 12th time unit is 1/10 sec. For example to enter 1 sec put 10 value.
WELDING TIME 20	When the table closed profiles adhesion time the machine's 13th time. unit is sec.For example for 1 sec enter 1 value.This time counts down from set value to zero.
TABLE OUT 3 0	Tables 3rd out time the machine's 16th time and the last time and Step.For example to enter 1 sec put 10 value.
2.CLAMP OUT 0	The 2nd clamp out time the machines 14th time unit is 1/10 sec. For example to enter 1 sec put 10 value.
1.CLAMP OUT 5	1 st clamp out time the machine's. For example to enter 1 sec put 10 value
OFFSET TEMP 0	This value for downing real temperature – down and for calibration For example if you enter 10 and the realtemperature is 220 you see 210 on the display.This value limited with 20.
EMERGENCY STOP NO	If you use NCcontact for emergency buton enter NC if you have. NO fort he emergency buton enter NO.
LANGUAGE ENGLISH	This parameter changes language standart languages are Turkish.English and Russian.Optional you can have Romanian, French and Spanish versions available when you change language all menu Messages change..
FİLTHER 0	It is display temperature fitler, device working 1 celcius centigrade if yu enter 1 this value you don't see temperatur changes.

READY TO RUN
ALWAYS

This parameter is ready to run, if you choose 'always' device permit all temperature values for running machine. If you choose 'in set value' temperature set values over 5 degrees or lower 5 degrees you can run in other cases it is not possible to run

TYPE MACHINE
ZERO WELDING
NORMAL WELDING

Select this machine.

7.2 CAUTIONS AND FEATURES INTENDED ATTENTION

TC ERROR

Termocouple error, if you connect termocouple wrong or broken you see this warning

230 C E25s K25s
STEP OF TREADLE

On the display second line of you see this step on treadle you can run machine if you choose from fine tuning menu ready to work option always you see step on treadle..

240 C E20s K20s
WAIT! NOT READY

If you see this warning you can not run the machine you should wait temperature to come close to the set temperature value, when you see step on treadle you can run

240 C E20s K20s
MACHINE STOPPING

When the machine is running if you push the emergency button you see machine stopping warning. When the machine stops you see. Emergency Stop Warning

240 C E20s K20s
EMERGENCY STOP

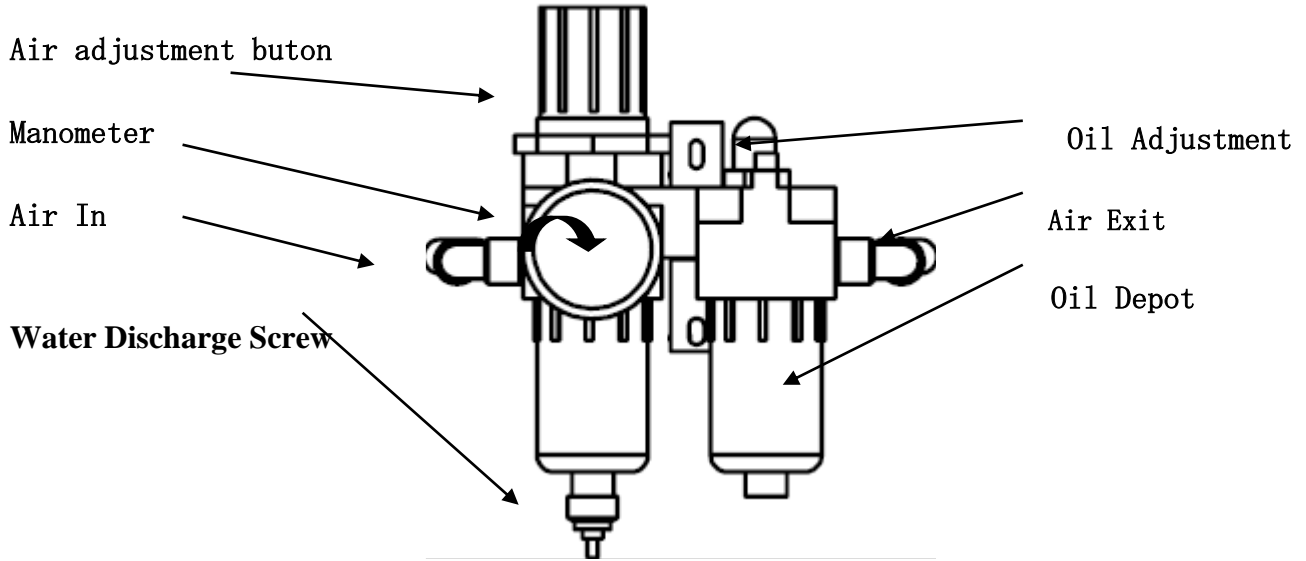
If you push emergency button first you see machine stopping then you see emergency stop. If you turn to emergency button normal end you still see this warning check the wirings

240 C E20s K20s
TABLE OUT

When the machine working on the display second line you see the running process on the machine at that moment

8. AIR PRESSURE ADJUSTMENT

Pneumatic systems should be 6-8 bar air pressure to function as healthy. Machine to operate at pressures lower than 6 cups. Conditioner to adjust the air pressure to control and read on the manometer. (FIGURE 8)



8.1- Increasing the pressure adjustment knob clockwise direction is flipped, rotated in the opposite direction pressure Decrease

8.2- Once you read 6-8 Bar on the manometer, push the adjustment button of the conditioner down and lock it in that position

8.3- The conditioner unit collects the water within the air system in a receptacle in order to prevent damage to the pneumatic system components. Discharge this water periodically (at the end of the working day) by pressing or opening the button under the conditioner.

8.4 The manufacturer recommends to use the following oils with the conditioner: TELLUS C 10 / BP ENERGOL HLP 10/ MOBIL DTE LIGHT / PETROL OFISI SPINDURA 10

9. MACHINE SAFETY INFORMATION

9.1. Protective safety equipment, such as by removing the top caps and it is forbidden to work 230V 50Hz 9.2 machine should be used. The electrical wiring done by a licensed electrician

9.3 lift the machine, insert, electrical and pneumatic qualified and authorized personnel should be used for maintenance work.

9.4 Routine maintenance work scheduled maintenance by authorized and qualified personnel should be made after deactivation electric and pneumatic power sources.

9.5 Cleaning the machine before working on the machine, make sure that the test being made and maintained.

9.6 Safety equipment and moving parts of electrical power cable ediniz. Safety routinely checked to fulfill the functions of equipment or parts with new ones if you see no harm in changing the machine operate.

9.7 Foreign objects within the area of operation at 9.7, Do not put your hands between the moving parts .

IMPORTANT

To prevent loss or damage to equipment safety information above. Please read the safety instructions carefully and always keep in mind the information.

10. OPERATION

10. DOUBLE CORNER WELDING

10.1. Carry out the electrical and air connections.

10.2. Open manometer.

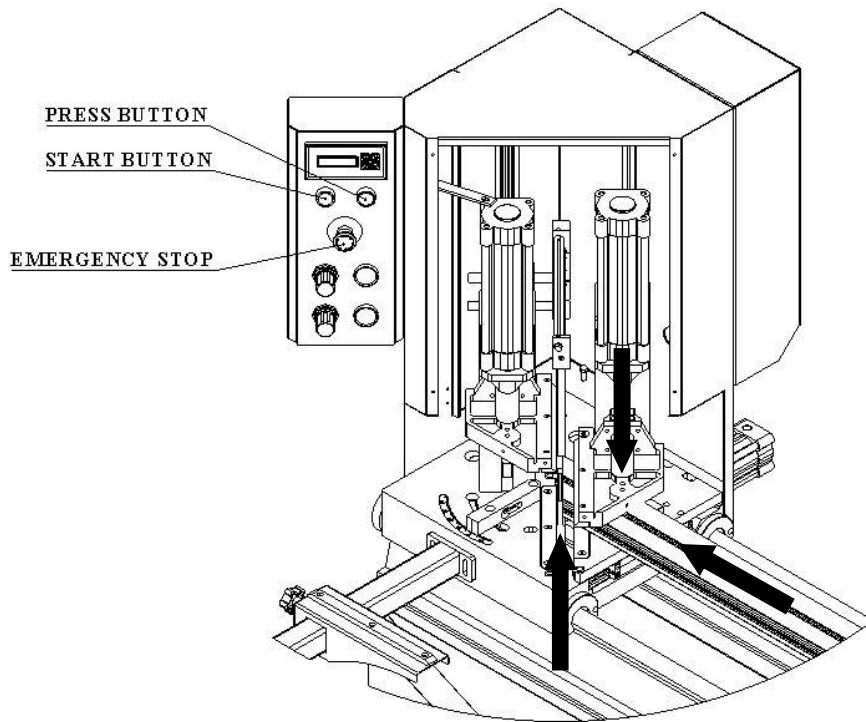
10.3. Deactivate the emergency stop buttons

10.4. Source of light to come on board and wait for heating resistances.

10.5. Press the start button to turn off the tray fixed head go up and provide the template.

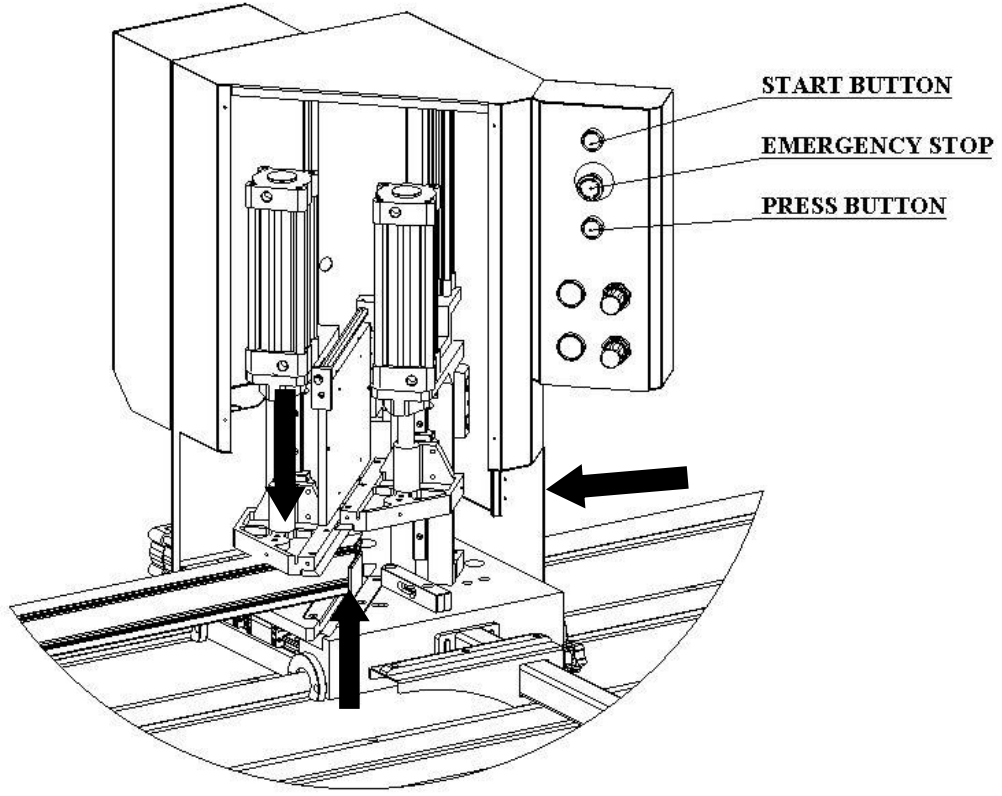
10.6. Place the profile on the back surface.

10.7. Press start button and the head of the press presses provide a fixed compression profile.



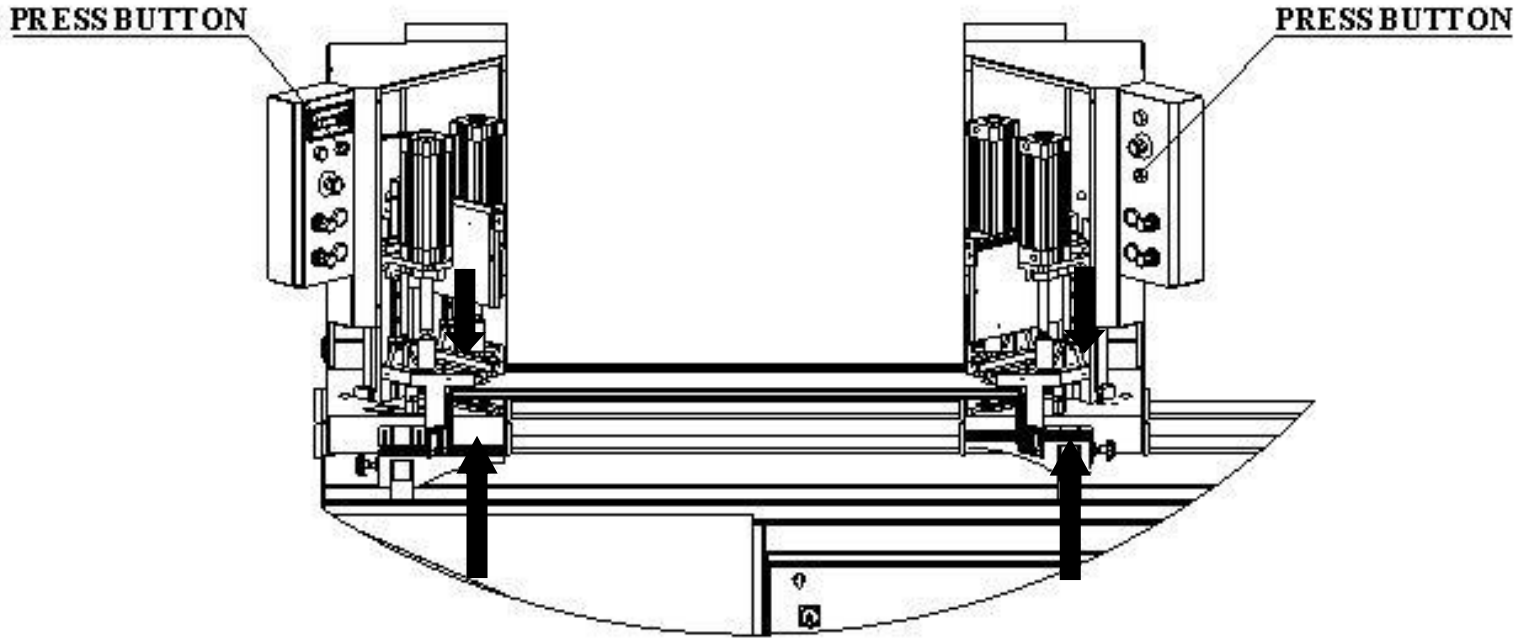
10.8. Press the start button to remove the gauge. Pull the movable head until the profile sticks to the gauge.

10.9. Press start button and the head of the press presses provide a fixed compression profile.



10.10. Place left profile and press button.

10.11. Place right profile and press button.



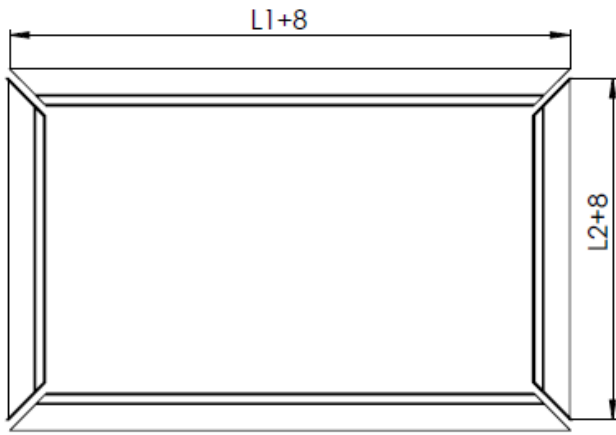
10.12. Pressed the last time the machine will automatically set after pressing operations will end by welding process

- * Gauge * Resistance goes down goes down * Tables * Tables turn off pop-up
- * Resistance touch the surfaces of the side surfaces of the frame side by the melting temperature and time allows. After the melting process (time varies according to climate conditions);
- * Resistance * Moving tables pops up automatically closes
- * The specified resource profiles will remain stable during the period of bonding.
- * The upper and lower blades clean source dross. (HC-500, not shown)
- * At the end of the welding process presses the moving plates will lift automatically pop up left and right.

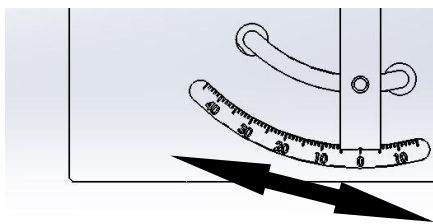
10.13 Get the source profile.

11. PROFILE CUTTING AND ANGLE ADJUSTMENT

11.1. Measure within a certain cut PVC profiles, the two parts are joined together by melting heating. If this is over 4 mm during the merge profiles from a total of 8 mm meltdown. So, the PVC profiles welded custom-made size 8 mm larger than the full cut can be done.

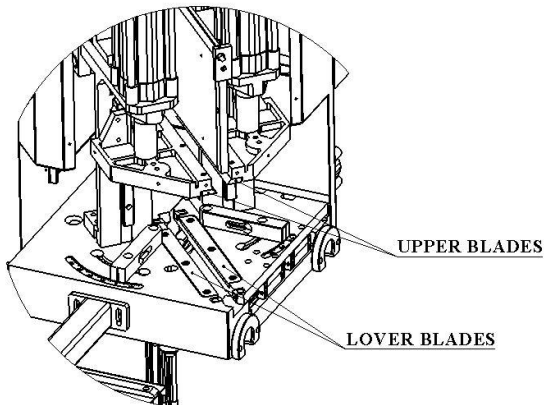


11.2. resources required to run a stand-alone cases, a fixed-angle head. Use the arrow keys on the fender tops with fixed head angle indicators will need to bring the desired angles. For it;



Use the arrow keys on the table and set the desired angle by loosening the screws on the sides of the trench hex bolts by tightening the fasteners.

12. KNIVES REPLACEMENT



12.1. Be sure to unplug the machine.

12.2. Open the lid of the upper casing.

12.3. Remove and replace the screws with cross recess hex key pitfall blades. Make sure that the blades are parallel and tightly connected.

13. MAINTENANCE



13.1. ROUTINE CHECKS

13.1.1. Before any maintenance or cleaning operation, the emergency stop button must be in the 0 position and the Location of sartel.

13.1.2. Affecting the upper table, and use make sure that all materials are clean and dry.

13.1.3. Blades set on the table before every use and vice wear, warping, cracking and check against breakage. If the blades are damaged or replace damaged blades.

13.1.4. Distribution filters and check the oil level air pressure. If the missing amount of fat which is low. (FIG. 8)

13.2. MAINTENANCE AT THE END OF WORKING DAY

13.2.1. Keep running as clean as possible and periodically parts of the Teflon sheet dirt, oil, and be sure to check for corruptions.

13.2.2. Avoid materials that harm the paint cleaning the machine

13.2.3. Periodically check the air setting unit, the system to prevent entry of water into the air, check the oil level distribution.

13.3. GENERAL LUBRICATION

13.3.1. The machine is equipped with a special lubricant-free bearings do not require lubrication or greasing. Periodically check the oil level in the conditioner pneumatic system. For the oil to be used (see Article 9)

13.4. SPECIAL PRECAUTIONS

13.4.1. Not work beyond a few days in case the machine is non-painted surfaces to prevent oxidation of the grease. Clean layer of fat in case of working again

13.4.2. The machine will stay out of the long-term use;

- sartel position 0
- Close the pneumatic system

14. TROUBLESHOOTING GUIDE

POSSIBLE ERRORS AND REMOVAL

Emergency proposals to eliminate the problems below. If the fault can not be eliminated or encounter a malfunction other than those recommended below, please consult the technical service

TROUBLES	CAUSES	REMEDY
The resistance does not heat	No power supply to the machine The thermocouple connection wire is displaced. The temperature display needs to be set. Card may be the problem.	Check the fuse, plug and socket. Connect the thermocouple wire. Check the temperature display adjustment (245°) Call for Assistance.
The heating plate	The air pressure is too low.	Check the air hose connections of the machine. Adjust the air pressure at the conditioner.

does not move.	Valve failure Card may be the problem.	Replace Valve. Call for Assistance.
Machine does not weld or the welding is not clean.	The profiles were cut in different angles. The Teflon is dirty or torn. Card may be the problem	Check the angles of the profile ends. The saw blade might need to be sharpened. The Teflon should be cleaned or replaced. Call for Assistance.
The heating plate does not move.	Valve failure	Replace Valve.
Energy does the machine.	If the power supply light is off May be a connection error.	Power supply light is not on Insurance, plugs, sockets, etc.. Check that.
One or more of the features that should be running on the machine.	Electronic resource card failure.	Call for Assistance..

15. WARRANTY CONDITIONS

- 1.The warranty period is 2 years from the delivery date of the machine.
- 2.All parts of the machine are under the warranty of our company.
- 3.If the machine has a defect within the warranty period, the warranty period is extended by the repair period. The repair period of the machine is max. 30 working days. This period begins with the date of notification of the defect to the service station, or if there is no service station, to the authorized dealer, representative, agent, importer or manufacturer. If the defect cannot be repaired within 15 working days, the manufacturer or importer has to deliver the customer another machine with similar features until the repair has been completed.
- 4.If the machine has a defect due to material, workmanship and assembly fault, the repair will be carried out without any charge for parts, labor or any other charges.
5. The customer can request the replacement of the machine, or the return of the purchase price or discount in proportion with the fault if;
 - the same defect occurs more than twice within the stipulated warranty period after the delivery, or in case of more than four different defects within the stipulated warranty period., or if the total defects of different defects exceeds six defects, and makes the machine unusable,
 - the repair period for the machine is extended,
 - it is determined with a report of the service station, or in case that there is no service station, by the dealer, representative, agent, importer or manufacturer, that a repair of the machine is not possible,
- 6.Defects due to use of the machine in contrary with the features described in the machine's user's manual are excluded from the warranty.
7. In connection with any issues of the warranty certificate the customer may contact the General Directorate of the Consumer and Competition Protection of the Ministry of Industry and Trade